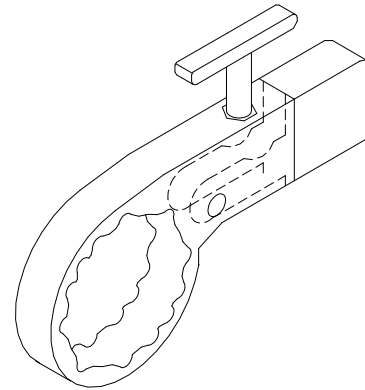
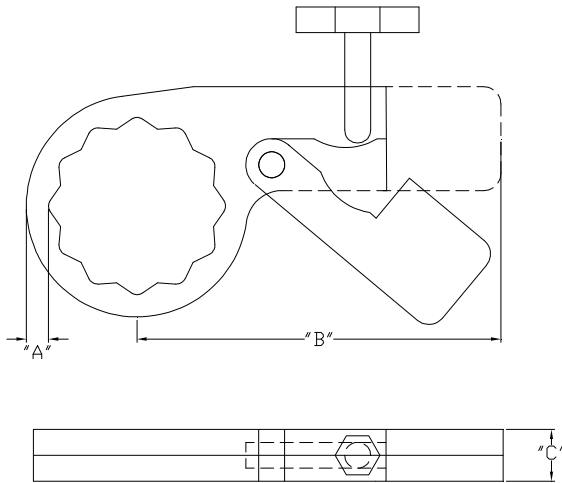


UNI-BACK™

BACK-UP WRENCH

Norwolf Tool Works, Inc.

6 Sullivan Street, Westwood, NJ 07675
 Telephone: (201)666-6655 Fax: (201)666-7611
www.norwolf.com



UNI-BACK - IMPERIAL

PART NO.	HEX SIZE	"A"	"B"	"C"
BK-062	5/8"	.25"	5.25"	.75"
BK-068	11/16"	.25"	5.25"	.75"
BK-075	3/4"	.25"	5.25"	.75"
BK-081	13/16"	.25"	5.25"	.75"
BK-087	7/8"	.25"	5.25"	.75"
BK-093	15/16"	.25"	5.25"	.75"
BK-106	1-1/16"	.25"	5.25"	.75"
BK-112	1-1/8"	.25"	5.25"	.75"
BK-118	1-3/16"	.25"	5.25"	.75"
BK-143	1-7/16"	.25"	5.25"	.75"
BK-150	1-1/2"	.25"	5.25"	.75"
BK-156	1-9/16"	.25"	5.25"	.75"
BK-162	1-5/8"	.25"	5.25"	.75"
BK-168	1-11/16"	.25"	5.25"	.75"
BK-175	1-3/4"	.25"	5.25"	.75"
BK-181	1-13/16"	.25"	5.25"	.75"
BK-187	1-7/8"	.25"	5.25"	.75"
BK-193	1-15/16"	.25"	5.25"	.75"
BK-200	2"	.25"	5.25"	.75"
BK-218	2-3/16"	.25"	5.25"	.75"
BK-237	2-3/8"	.25"	5.25"	.75"
BK-256	2-9/16"	.33"	7.00"	1.00"
BK-275	2-3/4"	.33"	7.00"	1.00"
BK-293	2-15/16"	.33"	7.00"	1.00"
BK-312	3-1/8"	.33"	7.00"	1.00"
BK-350	3-1/2"	.50"	10.50"	1.50"
BK-387	3-7/8"	.50"	10.50"	1.50"
BK-425	4-1/4"	.50"	10.50"	1.50"
BK-462	4-5/8"	.50"	10.50"	1.50"
BK-500	5"	.66"	14.00"	2.00"
BK-537	5-3/8"	.66"	14.00"	2.00"
BK-575	5-3/4"	.66"	14.00"	2.00"
BK-612	6-1/8"	.66"	14.00"	2.00"

UNI-BACK - METRIC

PART NO.	HEX SIZE	"A"	"B"	"C"
BK-24MM	24MM	6.4MM	133MM	19MM
BK-27MM	27MM	6.4MM	133MM	19MM
BK-30MM	30MM	6.4MM	133MM	19MM
BK-32MM	32MM	6.4MM	133MM	19MM
BK-34MM	34MM	6.4MM	133MM	19MM
BK-36MM	36MM	6.4MM	133MM	19MM
BK-38MM	38MM	6.4MM	133MM	19MM
BK-41MM	41MM	6.4MM	133MM	19MM
BK-43MM	43MM	6.4MM	133MM	19MM
BK-45MM	45MM	6.4MM	133MM	19MM
BK-46MM	46MM	6.4MM	133MM	19MM
BK-48MM	48MM	6.4MM	133MM	19MM
BK-50MM	50MM	6.4MM	133MM	19MM
BK-55MM	55MM	6.4MM	133MM	19MM
BK-60MM	60MM	6.4MM	133MM	19MM
BK-65MM	65MM	8.5MM	178MM	25MM
BK-70MM	70MM	8.5MM	178MM	25MM
BK-75MM	75MM	8.5MM	178MM	25MM
BK-80MM	80MM	8.5MM	178MM	25MM
BK-85MM	85MM	8.5MM	178MM	25MM
BK-90MM	90MM	12.7MM	267MM	38MM
BK-95MM	95MM	12.7MM	267MM	38MM
BK-100MM	100MM	12.7MM	267MM	38MM
BK-105MM	105MM	12.7MM	267MM	38MM
BK-110MM	110MM	12.7MM	267MM	38MM
BK-115MM	115MM	12.7MM	267MM	38MM
BK-120MM	120MM	16.9MM	356MM	50MM
BK-125MM	125MM	16.9MM	356MM	50MM
BK-130MM	130MM	16.9MM	356MM	50MM
BK-135MM	135MM	16.9MM	356MM	50MM
BK-140MM	140MM	16.9MM	356MM	50MM
BK-145MM	145MM	16.9MM	356MM	50MM
BK-150MM	150MM	16.9MM	356MM	50MM