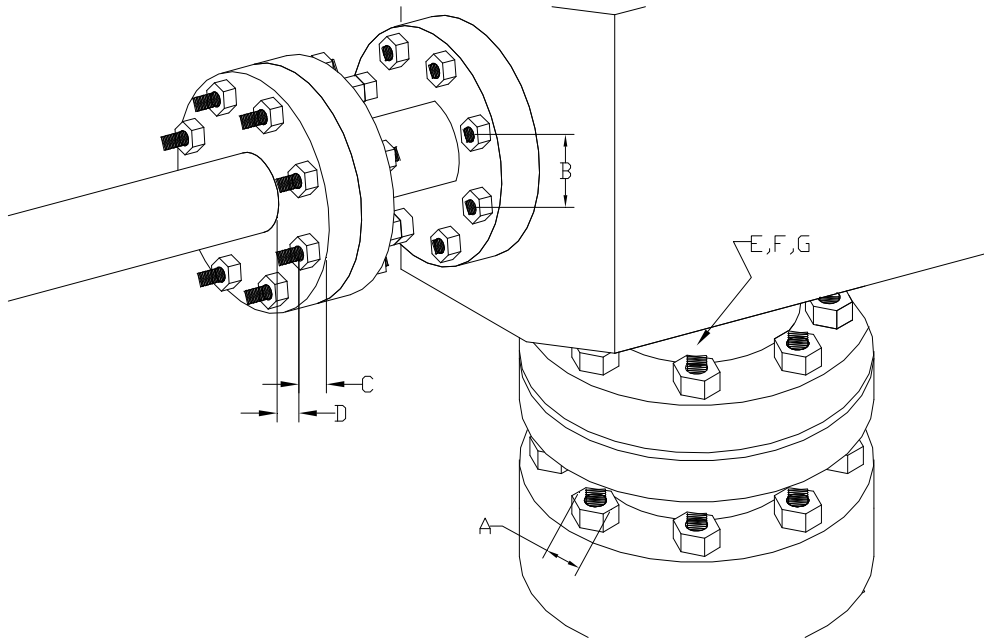


Norwolf Tool Works, Inc.

6 Sullivan Street, Westwood, NJ 07675
 Telephone: (201)666-6655 Fax: (201)666-7611
 www.norwolf.com

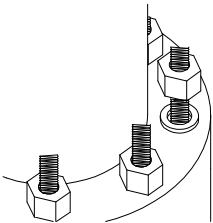


APPLICATION DATA SHEET



- A. SIZE OF NUT FROM FLAT TO FLAT _____
- B. CENTER OF BOLT TO CENTER OF NEXT BOLT _____
- C. CENTER OF BOLT TO EDGE OF FLANGE _____
- D. CENTER OF BOLT TO INSIDE PIPE _____
- E. VERTICAL CLEARANCE ABOVE STUD _____
- F. DIAMETER OF STUD _____
- G. LENGTH OF STUD ABOVE NUT _____
- H. APPROXIMATE TORQUE/TENSION REQ'D _____

WASHER, IF APPLICABLE



- A. WASHER THICKNESS _____
- B. WASHER DIAMETER _____
- C. SPOTFACE DEPTH _____
- D. SPOTFACE DIAMETER _____

“Serving Today’s Industry with Tomorrow’s Technology”