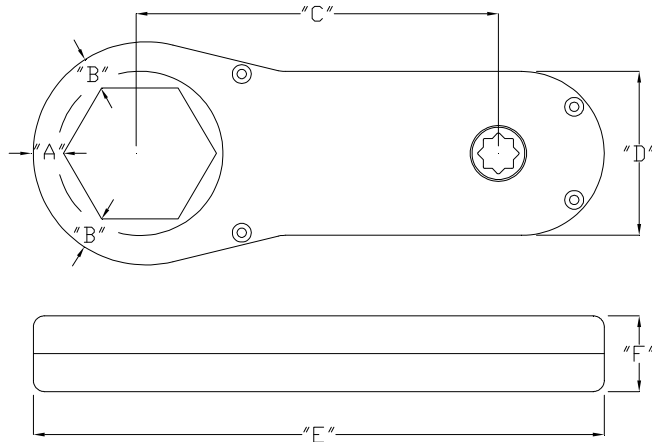
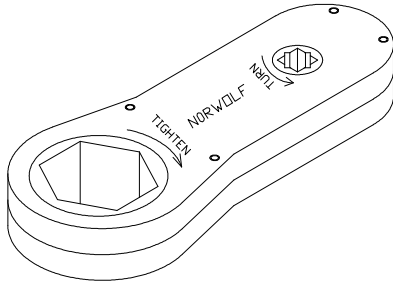


**OPTIONAL REACTION ARM**

| MODEL      | "A"   | "B"   | "C"   | "D"   |
|------------|-------|-------|-------|-------|
| TC-050     | 3.75" | 1.62" | 4.50" | 2.68" |
| TC-075-4-1 | 4.75" | 2.38" | 5.25" | 2.87" |
| TC-075-6-1 | 5.00" | 2.62" | 6.25" | 3.87" |



# MISSING LINK TC SERIES TORQUE MULTIPLIER



IMPERIAL

METRIC

| MISSING LINK 1/2" DRIVE, 4:1 RATIO                        |          |       |       |       |       |       |       |
|---|----------|-------|-------|-------|-------|-------|-------|
| MAXIMUM TORQUE: 250 FT. LBS. INPUT / 1000 FT. LBS. OUTPUT |          |       |       |       |       |       |       |
| PART NO.  | HEX      | "A"   | "B"   | "C"   | "D"   | "E"   | "F"   |
| TC-050-4-1-087-S  | 7/8"     | .600" | .662" | 5.96" | 2.75" | 8.77" | 1.25" |
| TC-050-4-1-106-S  | 1-1/16"  | .437" | .500" | 5.96" | 2.75" | 8.77" | 1.25" |
| TC-050-4-1-125-S  | 1-1/4"   | .437" | .500" | 5.96" | 2.75" | 8.88" | 1.25" |
| TC-050-4-1-143-S  | 1-7/16"  | .437" | .500" | 5.96" | 2.75" | 8.99" | 1.25" |
| TC-050-4-1-162-S  | 1-5/8"   | .437" | .500" | 5.96" | 2.75" | 9.09" | 1.25" |
| TC-050-4-1-181-S  | 1-13/16" | .437" | .500" | 5.96" | 2.75" | 9.20" | 1.25" |
| TC-050-4-1-200-S  | 2"       | .437" | .500" | 5.96" | 2.75" | 9.31" | 1.25" |
| TC-050-4-1-218-S  | 2-3/16"  | .437" | .500" | 5.96" | 2.75" | 9.42" | 1.25" |
| TC-050-4-1-237-S  | 2-3/8"   | .437" | .500" | 5.96" | 2.75" | 9.53" | 1.25" |

| MISSING LINK 1/2" DRIVE, 4:1 RATIO                     |       |      |      |     |     |     |     |
|--|-------|------|------|-----|-----|-----|-----|
| MAX.: 340 NEWTON METERS IN / 1360 NEWTON METERS OUTPUT |       |      |      |     |     |     |     |
| PART NO.   | HEX   | "A"  | "B"  | "C" | "D" | "E" | "F" |
| TC-050-4-1-22MM  | 22 MM | 13.5 | 15.1 | 151 | 70  | 222 | 32  |
| TC-050-4-1-24MM  | 24 MM | 12.0 | 13.5 | 151 | 70  | 222 | 32  |
| TC-050-4-1-27MM  | 27 MM | 11.1 | 12.7 | 151 | 70  | 222 | 32  |
| TC-050-4-1-30MM  | 30 MM | 12.0 | 13.5 | 151 | 70  | 226 | 32  |
| TC-050-4-1-32MM  | 32 MM | 11.1 | 12.7 | 151 | 70  | 226 | 32  |
| TC-050-4-1-36MM  | 36 MM | 11.1 | 12.7 | 151 | 70  | 228 | 32  |
| TC-050-4-1-41MM  | 41 MM | 11.1 | 12.7 | 151 | 70  | 231 | 32  |
| TC-050-4-1-46MM  | 46 MM | 11.1 | 12.7 | 151 | 70  | 234 | 32  |
| TC-050-4-1-50MM  | 50 MM | 11.1 | 12.7 | 151 | 70  | 236 | 32  |
| TC-050-4-1-55MM  | 55 MM | 11.1 | 12.7 | 151 | 70  | 239 | 32  |
| TC-050-4-1-60MM  | 60 MM | 11.1 | 12.7 | 151 | 70  | 242 | 32  |

| MISSING LINK 3/4" DRIVE, 4:1 RATIO                        |          |       |       |       |       |        |       |
|---|----------|-------|-------|-------|-------|--------|-------|
| MAXIMUM TORQUE: 600 FT. LBS. INPUT / 2400 FT. LBS. OUTPUT |          |       |       |       |       |        |       |
| PART NO.  | HEX      | "A"   | "B"   | "C"   | "D"   | "E"    | "F"   |
| TC-075-4-1-087-S  | 7/8"     | .842" | .936" | 8.34" | 3.75" | 12.17" | 1.75" |
| TC-075-4-1-106-S  | 1-1/16"  | .752" | .846" | 8.34" | 3.75" | 12.17" | 1.75" |
| TC-075-4-1-125-S  | 1-1/4"   | .652" | .746" | 8.34" | 3.75" | 12.17" | 1.75" |
| TC-075-4-1-143-S  | 1-7/16"  | .562" | .656" | 8.34" | 3.75" | 12.17" | 1.75" |
| TC-075-4-1-162-S  | 1-5/8"   | .562" | .656" | 8.34" | 3.75" | 12.28" | 1.75" |
| TC-075-4-1-181-S  | 1-13/16" | .562" | .656" | 8.34" | 3.75" | 12.38" | 1.75" |
| TC-075-4-1-200-S  | 2"       | .562" | .656" | 8.34" | 3.75" | 12.49" | 1.75" |
| TC-075-4-1-218-S  | 2-3/16"  | .562" | .656" | 8.34" | 3.75" | 12.60" | 1.75" |
| TC-075-4-1-237-S *  | 2-3/8"   | .562" | .656" | 8.34" | 3.75" | 14.27" | 1.75" |
| TC-075-4-1-256-S  | 2-9/16"  | .562" | .656" | 8.34" | 3.75" | 12.82" | 1.75" |
| TC-075-4-1-275-S  | 2-3/4"   | .562" | .656" | 8.34" | 3.75" | 12.92" | 1.75" |
| TC-075-4-1-293-S  | 2-15/16" | .562" | .656" | 8.34" | 3.75" | 13.03" | 1.75" |
| TC-075-4-1-312-S  | 3-1/8"   | .562" | .656" | 8.34" | 3.75" | 13.14" | 1.75" |

| MISSING LINK 3/4" DRIVE, 4:1 RATIO                  |       |      |      |     |     |     |     |
|---|-------|------|------|-----|-----|-----|-----|
| MAX.: 815 NEWTON METERS IN / 3260 NEWTON METERS OUT |       |      |      |     |     |     |     |
| PART NO.  | HEX   | "A"  | "B"  | "C" | "D" | "E" | "F" |
| TC-075-4-1-22MM                                     | 22 MM | 21.3 | 23.6 | 212 | 95  | 309 | 45  |
| TC-075-4-1-24MM                                     | 24 MM | 20.3 | 22.6 | 212 | 95  | 309 | 45  |
| TC-075-4-1-27MM                                     | 27MM  | 18.8 | 21.1 | 212 | 95  | 309 | 45  |
| TC-075-4-1-30MM                                     | 30 MM | 17.3 | 19.6 | 212 | 95  | 309 | 45  |
| TC-075-4-1-32MM                                     | 32 MM | 16.3 | 18.6 | 212 | 95  | 309 | 45  |
| TC-075-4-1-36MM                                     | 36 MM | 14.3 | 16.6 | 212 | 95  | 309 | 45  |
| TC-075-4-1-41MM                                     | 41 MM | 14.3 | 16.6 | 212 | 95  | 312 | 45  |
| TC-075-4-1-46MM                                     | 46 MM | 14.3 | 16.6 | 212 | 95  | 315 | 45  |
| TC-075-4-1-50MM                                     | 50 MM | 14.3 | 16.6 | 212 | 95  | 317 | 45  |
| TC-075-4-1-55MM                                     | 55 MM | 14.3 | 16.6 | 212 | 95  | 320 | 45  |
| TC-075-4-1-60MM                                     | 60 MM | 14.3 | 16.6 | 212 | 95  | 323 | 45  |
| TC-075-4-1-65MM                                     | 65 MM | 14.3 | 16.6 | 212 | 95  | 325 | 45  |
| TC-075-4-1-70MM                                     | 70 MM | 14.3 | 16.6 | 212 | 95  | 328 | 45  |
| TC-075-4-1-75MM                                     | 75 MM | 14.3 | 16.6 | 212 | 95  | 331 | 45  |
| TC-075-4-1-80MM                                     | 80 MM | 14.3 | 16.6 | 212 | 95  | 334 | 45  |

\*FOR USE WITH YAW PUCKS

| MISSING LINK 3/4" DRIVE, 6:1 RATIO                        |          |       |       |        |     |        |       |
|---|----------|-------|-------|--------|-----|--------|-------|
| MAXIMUM TORQUE: 600 FT. LBS. INPUT / 3600 FT. LBS. OUTPUT |          |       |       |        |     |        |       |
| PART NO.  | HEX      | "A"   | "B"   | "C"    | "D" | "E"    | "F"   |
| TC-075-6-1-125-S  | 1-1/4"   | .759" | 1.04" | 10.48" | 4"  | 15.02" | 1.75" |
| TC-075-6-1-143-S  | 1-7/16"  | .651" | .946" | 10.48" | 4"  | 15.02" | 1.75" |
| TC-075-6-1-162-S  | 1-5/8"   | .543" | .846" | 10.48" | 4"  | 15.02" | 1.75" |
| TC-075-6-1-181-S  | 1-13/16" | .434" | .756" | 10.48" | 4"  | 15.02" | 1.75" |
| TC-075-6-1-200-S  | 2"       | .562" | .656" | 10.48" | 4"  | 15.26" | 1.75" |
| TC-075-6-1-218-S  | 2-3/16"  | .562" | .656" | 10.48" | 4"  | 15.37" | 1.75" |
| TC-075-6-1-237-S  | 2-3/8"   | .562" | .656" | 10.48" | 4"  | 15.47" | 1.75" |
| TC-075-6-1-256-S  | 2-9/16"  | .562" | .656" | 10.48" | 4"  | 15.58" | 1.75" |
| TC-075-6-1-275-S  | 2-3/4"   | .562" | .656" | 10.48" | 4"  | 15.69" | 1.75" |
| TC-075-6-1-293-S  | 2-15/16" | .562" | .656" | 10.48" | 4"  | 15.80" | 1.75" |
| TC-075-6-1-312-S  | 3-1/8"   | .562" | .656" | 10.48" | 4"  | 15.91" | 1.75" |
| TC-075-6-1-350-S  | 3-1/2"   | .562" | .656" | 10.48" | 4"  | 16.12" | 1.75" |
| TC-075-6-1-387-S  | 3-7/8"   | .562" | .656" | 10.48" | 4"  | 16.34" | 1.75" |

| MISSING LINK 3/4" DRIVE, 6:1 RATIO                 |        |      |      |     |     |     |     |
|--|--------|------|------|-----|-----|-----|-----|
| MAX.: 815 NEWTON METER IN / 4890 NEWTON METERS OUT |        |      |      |     |     |     |     |
| PART NO.   | HEX    | "A"  | "B"  | "C" | "D" | "E" | "F" |
| TC-075-6-1-32MM                                    | 32 MM  | 23.3 | 25.6 | 266 | 102 | 382 | 45  |
| TC-075-6-1-36MM                                    | 36 MM  | 21.3 | 23.6 | 266 | 102 | 382 | 45  |
| TC-075-6-1-41MM                                    | 41 MM  | 18.8 | 21.1 | 266 | 102 | 382 | 45  |
| TC-075-6-1-46MM                                    | 46 MM  | 16.3 | 18.6 | 266 | 102 | 382 | 45  |
| TC-075-6-1-50MM                                    | 50 MM  | 14.3 | 16.6 | 266 | 102 | 388 | 45  |
| TC-075-6-1-55MM                                    | 55 MM  | 14.3 | 16.6 | 266 | 102 | 390 | 45  |
| TC-075-6-1-60MM                                    | 60 MM  | 14.3 | 16.6 | 266 | 102 | 393 | 45  |
| TC-075-6-1-65MM                                    | 65 MM  | 14.3 | 16.6 | 266 | 102 | 396 | 45  |
| TC-075-6-1-70MM                                    | 70 MM  | 14.3 | 16.6 | 266 | 102 | 399 | 45  |
| TC-075-6-1-75MM                                    | 75 MM  | 14.3 | 16.6 | 266 | 102 | 401 | 45  |
| TC-075-6-1-80MM                                    | 80 MM  | 14.3 | 16.6 | 266 | 102 | 404 | 45  |
| TC-075-6-1-90MM                                    | 90 MM  | 14.3 | 16.6 | 266 | 102 | 410 | 45  |
| TC-075-6-1-100MM                                   | 100 MM | 14.3 | 16.6 | 266 | 102 | 415 | 45  |