



**Norwolf Tool Works, Inc.**

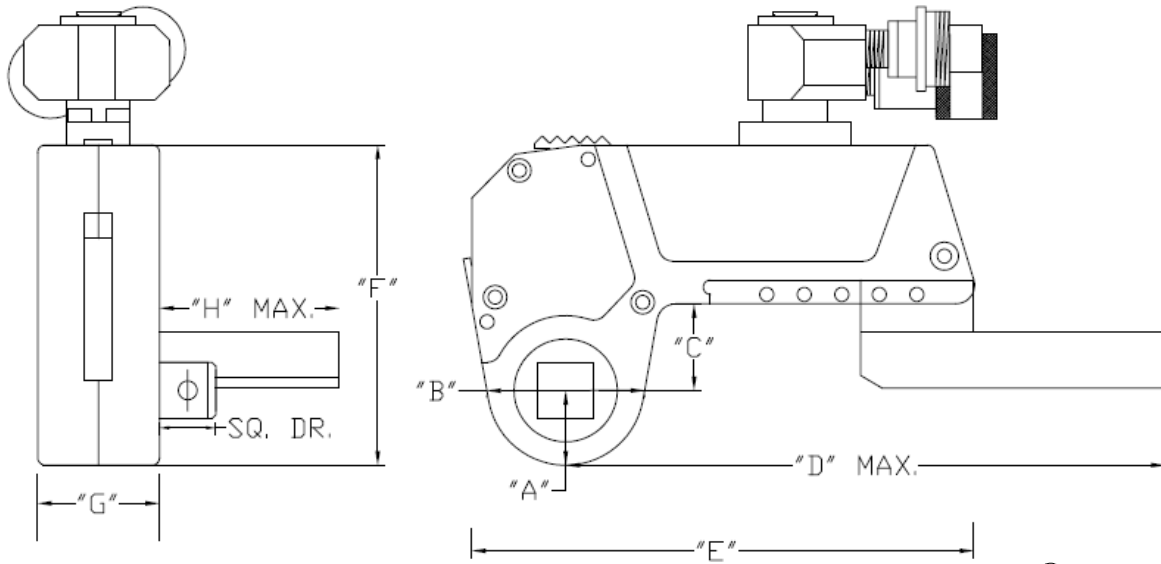
6 Sullivan Street, Westwood, NJ 07675

Telephone: (201)666-6655

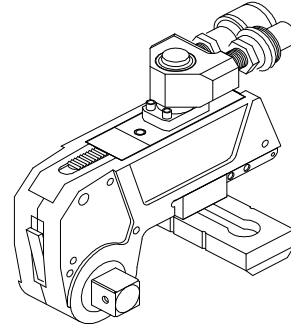
Fax: (201)666-7611

[www.norwolf.com](http://www.norwolf.com)

# X DRIVER™ WITH "V" DRIVE



<b>X DRIVER™ WITH "V" DRIVE</b>			
Model	Sq. drive	Maximum Torque @ 10k PSI / 700 BAR	
V - 2	.75"	1,300 ft. lbs.	1,762 Nm
V - 4	1.00"	3,080 ft. lbs.	4,175 Nm
V - 8	1.50"	6,015 ft. lbs.	8,155 Nm
V - 16	1.50"	10,400 ft. lbs.	14,100 Nm
V - 32	2.50"	24,650 ft. lbs.	33,420 Nm
V - 64	2.50"	48,150 ft. lbs.	65,280 Nm



Model	"A"	"B"	"C"	"D"	"E"	"F"	"G"	"H"
V - 2	1.00"	2.10"	1.16"	8.00"	6.88"	4.28"	1.63"	2.50"
V - 4	1.33"	2.80"	1.55"	10.67"	9.17"	5.70"	2.17"	3.33"
V - 8	1.66"	3.50"	1.94"	13.33"	11.46"	7.13"	2.71"	4.16"
V - 16	2.00"	4.20"	2.33"	16.00"	13.75"	8.55"	3.26"	5.00"
V - 32	2.66"	5.60"	3.10"	21.34"	18.34"	11.40"	4.34"	6.66"
V - 64	3.33"	7.00"	3.88"	26.68"	22.93"	14.25"	5.43"	8.33"

Metric Data	"A"	"B"	"C"	"D"	"E"	"F"	"G"	"H"
V - 2	25.4	53.3	29.5	203.2	174.8	108.7	41.4	63.5
V - 4	33.8	71.1	39.4	271.0	232.9	144.8	55.1	84.6
V - 8	42.2	88.9	49.3	338.6	291.1	181.1	38.8	105.7
V - 16	50.8	106.7	59.2	406.4	349.3	217.2	82.8	127.0
V - 32	67.6	142.2	78.7	542.0	465.8	289.6	110.2	169.2
V - 64	84.6	177.8	98.6	677.7	582.4	362.0	137.9	211.6